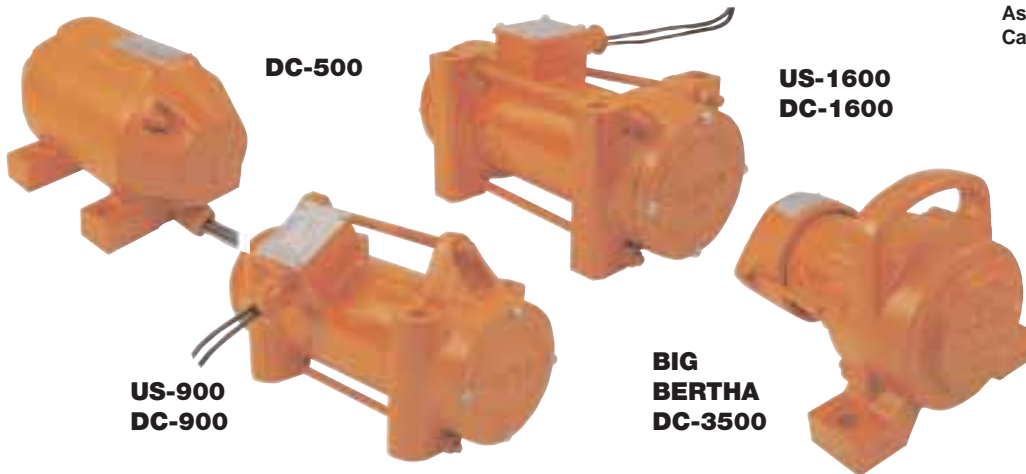


Model DC 12 Volt Battery Operated



Ask for
Cat. #0101

Ask for
Cat. #9511



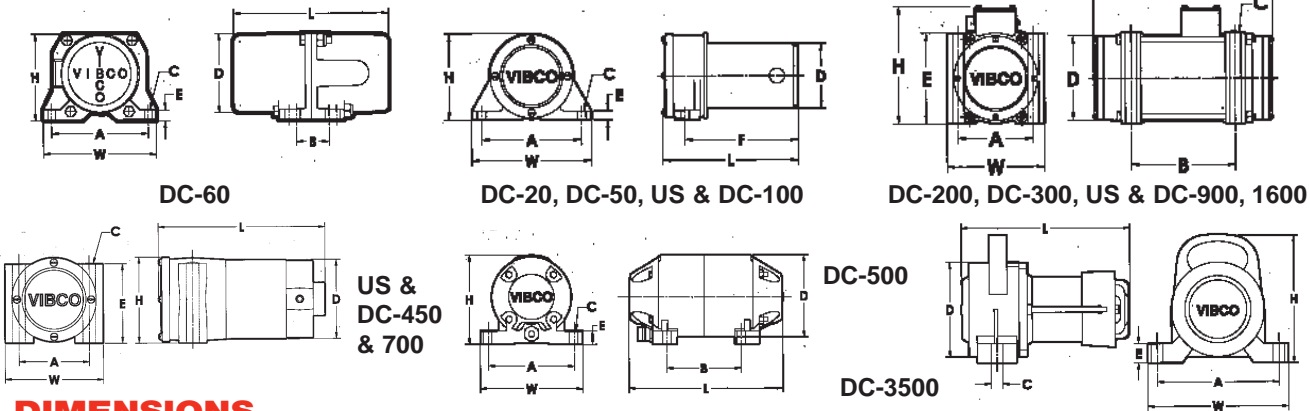
MODEL DC - 12 Volt DC Battery Operated

VIBCO's 12 Volt DC Vibrators are ideal for field or mobile applications. Cleans and aids flow of material from bins and chutes. Insures fast dump of trucks, highway equipment, fertilizer trailers, ready mix trucks, spreaders and concrete pumps.
 DC-20 small spreaders & hoppers.
 DC-100 hoppers etc. up to 1-1/2 yards.
 DC-200 and DC-300 small work horse for landscape equipment & trailer mounted concrete pumps.
 DC-500 the choice for truck mounted concrete pumps. Watertight & O-ring sealed for power washdown. DC-60 for trailer mounted pumps.

DC-450 popular on tailgate spreaders, small hoppers, fertilizer and bulk feed trucks, mobile bins and hoppers.
 DC-700 has more power per pound than any other vibrator, excellent for use on screening plants, chutes, etc.
 DC-900 and DC-1600 for hopper spreaders, large mobile bins, concrete spreaders.
 DC-3500 on dump trucks, moving loam and other sticky materials, highway spreaders and concrete placers and pavers, screens and larger storage bins.

Ask for
Cat. #9112

ASK FOR CATALOGS
#0101, #9511 and #9112.



DIMENSIONS

Model	L inches	W inches	H inches	A inches	B inches	C inches	D inches	E inches
DC-20	5	187	5 1/2	88	4	102	—	7 1/2
DC-20	5 1/4	143	5	127	4	102	—	7 1/2
DC-50	6 1/4	182	4 1/2	114	3 1/4	84	1 1/2	30
US-100, DC-100	6 1/4	171	5	182	5	127	—	12
DC-200	8 1/4	218	4 1/4	188	5	79	5 1/4	148
DC-300	8	229	4 1/4	186	5	79	5 1/4	146
US-450, DC-450	11 1/4	218	4 1/2	124	4 1/2	185	—	12
US-700, DC-700	7 1/4	187	5 1/2	143	5 1/4	123	—	12
DC-900	8	229	4 1/4	188	5 1/4	133	4 1/2	114
US-1600, DC-1600	11 1/4	233	5 1/2	148	5 1/4	188	—	12
US-1600, DC-1600	11 1/4	233	5 1/2	143	5 1/4	188	—	12
DC-3500	12	308	10	234	5	238	8 1/4	218

*Bolt Size Note: Dimensions and data subject to change without notice.