

Model SPR, CE, Small



SPR-20 and -21



SPRT-21



SPWT-21, SPWT-60 and -80

MODEL SPR Small Impact Line

FEATURES:

- **COMPACT**
- **NOISELESS**
- **CONTINUOUS DUTY**
- **LIGHTWEIGHT**
- **STOPS & STARTS EASILY**
- **CONVENIENT - 115 VOLT PLUG IN**

TECHNICAL DATA

Model	Force Impact		V. Volt	Amps	Ph.	Speed V.P.M.	Enclosure	Adjustable Speed Option	Wt.		dB*
	lbs.	N							lbs.	kg.	
CE-60***	100	445	115	.3	1	3600	Watertight	Yes	8**	3.6	65
SPR-20	15	67	115	.5	1	1600	Open	Yes	3	1.4	45
SPR-21	20	89	115	.8	1	3200	Open	Yes	3	1.4	48
SPR-40	25	111	115	1.4	1	1600	Tot. Encl. & Fan Cooled	Yes	7	3.2	45
SPR-60&60HD	60	267	115	1.5	1	3200		Partly	7	3.2	48
SPR-80&80HD	80	356	115	1.7	1	3200		Partly	7	3.2	50
SPRT-21	20	89	115	1.4	1	3200	Tot. Encl.	Yes	3	1.4	45
SPRT-60&60HD	60	267	115	1.5	1	3200	Tot. Encl.	Partly	7	3.2	48
SPRT-80&80HD	80	356	115	1.7	1	3200	Tot. Encl.	Partly	7	3.2	50
SPWT-21	20	89	115	1.4	1	3200	Watertight	Yes	7	3.2	45
SPWT-60	60	267	115	1.5	1	3200	Watertight	Partly	7	3.2	48
SPWT-80	80	356	115	1.7	1	3200	Watertight	Partly	7	3.2	50

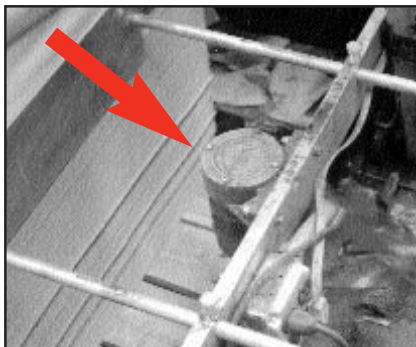
N = Centrifugal force in Newton **5 lbs. Aluminum *dB at 3' (1 meter) on A scale
 ***CE in aluminum or cast iron housings ‡Most units also available in 230 volt.
 Note: Dimensions and data subject to change without notice.

VIBCO's Model SPR, SPRT, SPWT and CE electric motor vibrators are specially developed for the thousands of applications where only a small shake is necessary, but big vibrator reliability is a must. For activating small hoppers, screens, chutes, tables, filling machines, etc. Controlled flow is obtained on all types of materials, including fine powders, flakes, pills, bottle caps and jars, etc. Speed and force can be adjusted on most models with simple rheostats or speed adjusters.

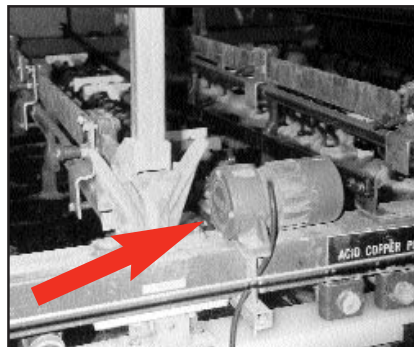
Completely noiseless operation (no more sound than a fan motor) makes these vibrators desirable in applications where noise is irritating or fatiguing for the employee. Most units available in 230 volt 50 or 60 cycles.

Rugged construction permits continuous or repeated start and stop operation in any position.

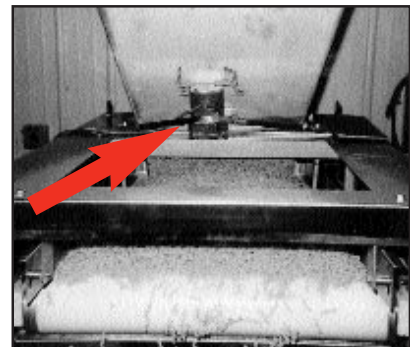
SPR-60HD, 80HD and SPRT-60HD, 80HD and CE are heavy duty units with oversized bearing and cast iron end bell instead of aluminum for extra long life.



SPR-60HD lining sheet paper in print shop.



SPR-80 on circuit board plating tank.



SPR-60 preventing hangups in hopper with pasta feeding weigh belt feeder.

Impact Electric Vibrators



**SPR-40, -60, -80
SPR-60HD and 80HD**



SPRT-60 and -80

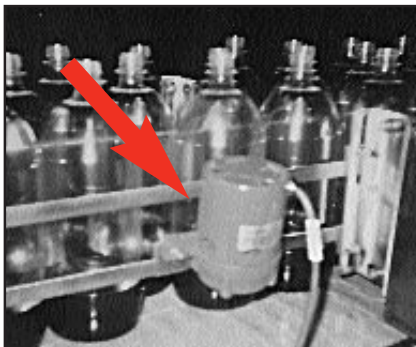
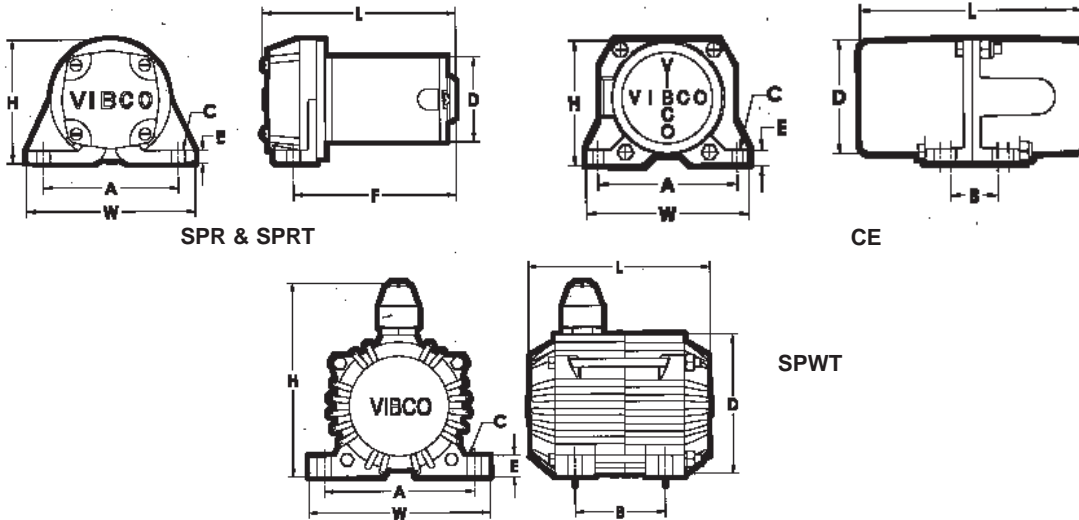


CE-60

DIMENSIONS

Model	A inch / mm		B inch / mm		C* inch / mm		L inch / mm		W inch / mm		H inch / mm		D inch / mm		E inch / mm		F inch / mm	
CE-60	3 ⁵ / ₈	92	1 ⁵ / ₁₆	33	1/4	6	6 ¹ / ₁₆	154	4 ³ / ₈	111	3 ¹ / ₄	83	3	76	7/16	11	—	
SPR-20, 21, SPRT-21	4	102	—		3/8	10	5	127	5	127	3 ¹ / ₂	89	3 ¹ / ₂	89	7/16	11	4	102
SPR-40, 60, 80 & HD	5	127	—		3/8	10	7	178	6	152	4 ¹ / ₄	108	4	102	1/2	13	5 ⁷ / ₈	149
SPRT-60, 80 & HD	5	127	—		3/8	10	5 ¹ / ₂	140	6	152	4 ¹ / ₄	108	4 ³ / ₁₆	106	1/2	13	4 ¹ / ₂	114
SPWT-21, 60, 80	4 ³ / ₄	121	2 ³ / ₄	70	3/8	10	5 ³ / ₈	137	5 ¹ / ₂	140	6 ¹ / ₂	165	4 ¹ / ₂	114	5/8	16	—	

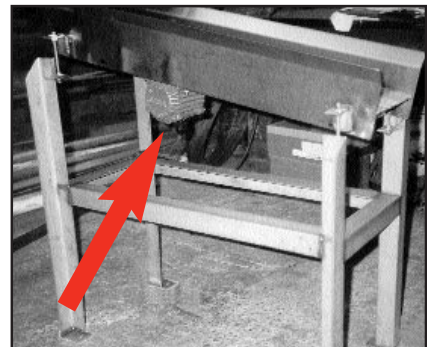
*Bolt Size Note: Dimensions & data subject to change without notice.



SPR-20 prevents plastic bottles from accumulating and sticking on conveyor belt.



SPR-60 on filling machine.



SPWT-80 on screen feeder.