

INTERNAL CONCRETE VIBRATORS

CONCRETE
We're The Vibrator Guys.™

VIBCO

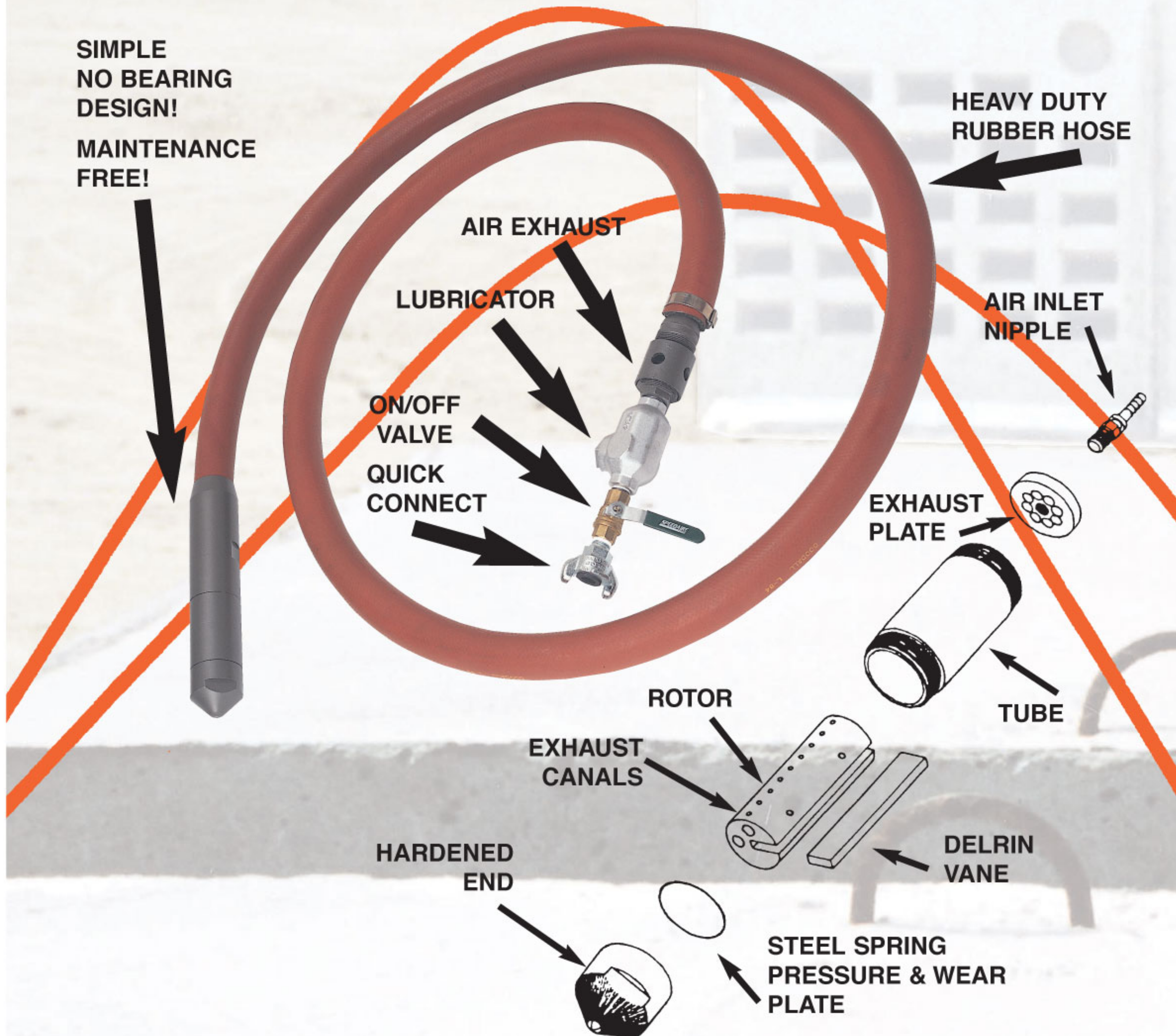
www.vibco.com

HIGH FREQUENCY PNEUMATIC INTERNAL CONCRETE VIBRATORS

Model KA

- Maintenance Free
- Patented Wear Plate for Longer Life
- Patented Design - Job Proven for Over 30 Years
- Only One Moving Part
- Patented Air Saver Chamber for Lower Air Consumption

SIMPLE
NO BEARING
DESIGN!
MAINTENANCE
FREE!



800-633-0032

www.vibco.com

PATENTED

VIBCO OFFERS SIMPLICITY & QUALITY

HOW IT WORKS:

Compressed air passes through the inlet hose into the rotor. The air pressure lifts the vane and presses it against the housing wall. The compressed air is forced out through the slots in the vane and creates a high and low pressure chamber in the shaft. The high pressure chamber (2) will increase as compressed air fills it while the rotor turns. When filled to a certain point (3) the air exhaust ports in the rotor are exposed. When this happens the compressed air exhausts quickly moving the rotor to the start position. This cycle repeats 12-15,000 times a minute creating the vibration. The weight of the rotor determines the vibration force.



Fig. 1



Fig. 2



Fig. 3

VIBCO'S proven and patented High Frequency Internal Vibrators assure you of the latest innovation in vibration design technology, giving you the most maintenance free, long lasting unit on the market at low, competitive prices.

The simple, no bearing vane/rotor motor design insures reliable long life. The patented "wear-plate" eliminates expensive maintenance repairs and shut downs. The patented "air-saver" design gives high frequency, high force vibratory performance with lowest air consumption. It retains part of the

compressed air during exhaust cycle to boost vibration frequency and power, preventing dampening and slowing down of unit even under severe loads. It also makes the unit start every time. The vane type motor has no bearings and only one moving rotor that produces forces from 500 lbs. to 2,000 lbs at frequencies up to 18,000 VPM. All models operate on compressed air up to 110 PSI. Head sizes are 1-3/8", 1-3/4", 2-1/2", and 3". To select proper head size use same selection as for VIBCO'S electric internal vibrators (see page 3).

TECHNICAL DATA

	KA 1-3/8 INCHES/MM	KA 1-3/4 INCHES/MM	KA 2-1/2 INCHES/MM	KA 3 INCHES/MM	KA 4 INCHES/MM
HEAD DIAMETER*	1-3/8" / 35	1-3/4" / 45	2-1/2" / 64	3" / 76	4" / 102
HEAD LENGTH*	10-3/4" / 273	11-1/2" / 292	13" / 330	15" / 381	15" / 381
TOTAL LENGTH W/HOSE (H)*	11' 9-3/4" / 3600	11' 10-1/2" / 3620	12" / 3658	12' 2" / 3708	12.2" / 3708
TOTAL WEIGHT LBS/KG	14 / 6.4	18 / 8.2	25 / 11.3	32 / 14.5	54 / 25
RADIUS OF EFFECTIVENESS*	10 / 254	14 / 356	16 / 406	18 / 457	22 / 560
OUTPUT MAX CU. YD/HR**	20 / 15.3	35 / 26.8	40 / 30.6	42 / 32.1	52 / 39.8
MAX AGGREGATE SIZE*	1" / 25	1-5/8" / 42	2-1/4" / 57	2-1/2" / 64	3" / 76
AIR CONSUMPTION/CFM	21.5	26	36	40	53
FREQUENCY (VPM)	18,000	17,000	16,000	16,000	15,000
FORCE OUTPUT LBS./N	450 / 2002	800 / 3560	2100 / 9345	3200 / 14239	5540 / 25650

ALL VIBCO VIBRATORS ARE MADE IN THE U.S.A.



Corporate HQ & Factory:
75 Stilson Road, P.O. Box 8
Wyoming, RI 02898
E-Mail: vibrators@vibco.com
Phone: (401) 539-2392
(800) 633-0032
FAX: (401) 539-2584

Western US:
Phoenix, AZ 85254
Phone: (480) 596-1809
(800) 633-0032
FAX: (480) 596-1614

Canada:
2215 Dunwin Drive
Mississauga, ONT L5L 1X1
Phone: (905) 828-4191
(800) 465-9709
FAX: (905) 828-5015

We're The **CONCRETE** Vibrator Guys.™

www.vibco.com

PRINTED IN USA
9606B ©2004 VIBCO, INC.

SIMPLICITY & EXCELLENCE

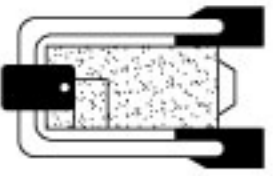
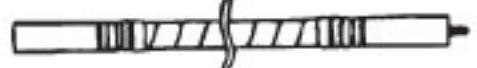

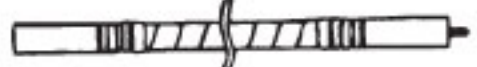
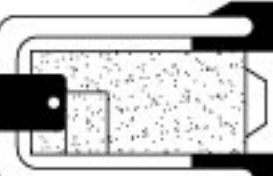


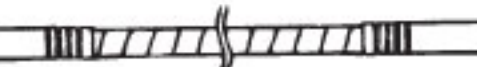
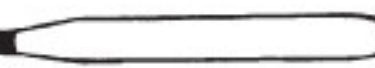

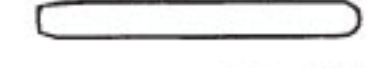
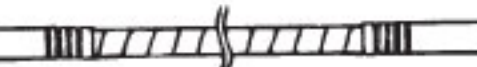

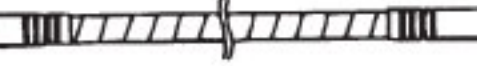



FOR LONG LIFE

Interchangeable Flexible Shafts
Available from 2 to 21 Feet

FEATURES:

- MOTOR UL-LISTED
- DROP TESTED AT OVER 6 FEET
- WATERPROOF SWITCH
- WRAP AROUND PROTECTIVE FRAME
- LARGE RUBBER SHOCKS
- SHOULDER PACK INCLUDED
- HEAVY DUTY BRUSHES

INTERCHANGEABILITY & ORDERING CHART

JVS		2'		1"	
		5'			
ACE		7'		1-1/4"	
		10'		1-1/2"	
	MOTOR		FLEXIBLE SHAFT		HEAD SIZE
		7'		1-1/2"	
		10'		1-3/4"	
		14'		2"	
		21'		2-1/2"	

800-633-0032

www.vibco.com

CHANGEABILITY

RUBBER SLEEVE HEAD

- Prevent Chipping of Epoxy Coated Rebars
- Protects Expensive Forms
- Available in 1-7/8 & 2-3/4" Head Size. To order specify RSH 1-7/8 or RSH 2-3/4

RUBBER NOSE

- Protects Expensive Forms
- Available in all head sizes.
- To Order Specify Model RN & Head Size.

Interchangeable Heads

JVS Motor for 1, 1-1/4, & 1-1/2" Heads
ACE Motor for 1-1/2, 1-3/4, 2 & 2-1/2" Heads

MOTOR SPECIFICATIONS

MOTOR	HP	VOLTAGE	AMPS.	R.P.M.	WEIGHT	
					LBS.	KG.
JVS	1.5	115	15	11,000	13	6
ACE	2.5	115	17	11,000	17	7.7

*220 VOLT AVAILABLE IN SINGLE PHASE.

HEAD SPECIFICATIONS

HEAD DIA. LENGTH INCHES / MM	MAX CENTRIFUGAL FORCE LBS / N*	AMPLITUDE AT TIP INCHES / MM	RADIUS OF INFLUENCE INCHES / MM	CAPACITY CU. YARDS/HR. CU. METERS / HR.
1 X 13 / 25 X 330	183 / 814	.075 / 1.91	5 / 127	6 / 4.6
1-1/4 X 13 / 32 X 330	430 / 2180	.080 / 2.03	7 / 178	8 / 6.1
1-1/2 X 14 / 38 X 356	760 / 3382	.090 / 2.29	14 / 356	12 / 9.2
1-3/4 X 14 / 45 X 356	1100 / 4895	.110 / 2.79	18 / 457	24 / 18.4
2 x 14 / 51 X 356	1450 / 6452	.130 / 3.30	22 / 559	35 / 26.8
2-1/2 X 13 / 64 X 330	2330 / 10368	.150 / 3.81	25 / 635	42 / 32.1

*NEWTON

800-633-0032

www.vibco.com

JVS & ACE Electric Internal Vibrators

INTERCHANGEABILITY IS VIBCO'S SOLUTION TO MAKING THE TOUGH JOB EASY!

CUSTOMER BENEFITS:

- **Heavy Duty Universal Motor**
- **Interchangeable Heads**
- **Interchangeable Flexible Shafts**
- **Reversible Shafts for Double Life**
- **Extension Shafts Available Up to 21 Ft.**



3 EASY STEPS TO SELECT:

BEST SELECTION ADVICE:

Use the largest head size that will fit between the rebar, with the shortest shaft and smallest motor for the best efficiency and lowest cost.

1. MOTOR OPTIONS:

2 Motors to choose from : Model JVS 1.5 HP or Model ACE 2.5 HP. (See best selection advice above.)

2. HEAD SIZE OPTIONS:

3/4" - 1" head diameter use: thinnest prestressed sections of burial vaults, manholes, etc.

1-1/4" - 1-1/2" head diameter use: thin prestressed sections, manholes, pipes, septic tanks, etc.

1-3/4" head diameter use: the most versatile & general purpose head; ideal for floors, slabs, walls, columns, bridge decks, railings, etc.

2" head diameter use: all around size capable of handling stiff low slump mixes, heavy open forms, large foundations, retaining walls.

2-1/2" head diameter use: enough force for the stiffest low slump mixes, foundations, heavy bridge work, etc.

3. FLEXIBLE SHAFT SELECTION:

Since motor is carried at waist height when wearing shoulder strap, choose shaft length of appropriate waist height plus the form depth. Each motor has 3 different lengths to choose from.

EXAMPLE OF HOW TO ORDER: Order Vibrator Motor (JVS) - Flexible Shaft (5') - Head Size (1") Your order would read: JVS-5-1.

ACCESSORIES:

- **SHAFT CONNECTORS:** Part #IA5276
- **PENCIL VIBRATORS:** Model STV with 3/4" head and 3, 6, 9 or 15 foot shafts available; fits both JVS & ACE motors.

800-633-0032

www.vibco.com