

THE CHUTE VIBRATOR



**Pour Fast,
Clean, Safe
and Smart.**

We're The **CONCRETE** Vibrator Guys!

VIBCO

www.chutevibrators.com

VIBCO Chute Vibrators keep Ready Mix profits flowing in the right direction.

- **Move low slump and pervious concrete easily.**
- **Pour at low angles on any terrain without raking.**
- **Get on the road faster with more efficient charge hopper loading.**
- **Save labor costs by reducing clean up time.**
- **Load more pours and pour more loads per day.**

VIBCO's Chute Vibrator Kits are the easiest, most affordable way for you to stay profitable and consistent in today's competitive and regulated market where customers require faster, safer, more efficient pours.

What are you doing to keep up with customer demands and regulations while maintaining profitability?



VIBCO Has the Right Chute Vibrator for Your Discharge Chute or Charge Hopper.

Pneumatic Turbine Vibrator Complete Kit CHV-25

- SILENT Operation
- Low air consumption - runs off your truck's auxiliary air
- No lubrication required
- Most popular option that outlasts pistons 3 to 1

12 Volt Vibrator Complete Kit CHV-6

- SILENT Operation
- Light-weight, corrosion-resistant plastic housing
- Low amperage draw (3 amps at max speed) powered right off truck's fuse panel or battery
- Totally enclosed for easy washdown

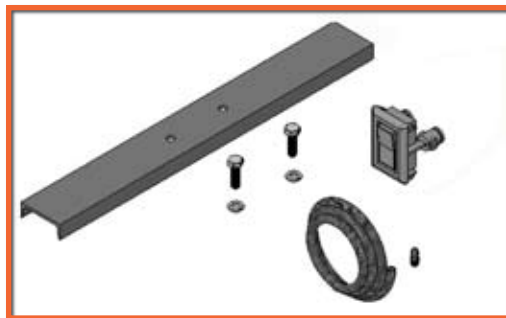
Pneumatic Piston Vibrator Complete Kit CHV-501

- Moderate air consumption
- Lubrication required
- Use when noise is not a concern
- Replaces competitive piston vibrators

VIBCO's Complete Mounting and Power Kits Include Everything You Need

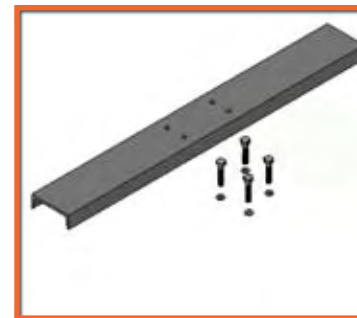
Pneumatic Turbine Vibrator Model CHV-25

Kit includes steel mounting channel iron*, bolts & washers, pneumatic rocker switch, hose & hose fittings



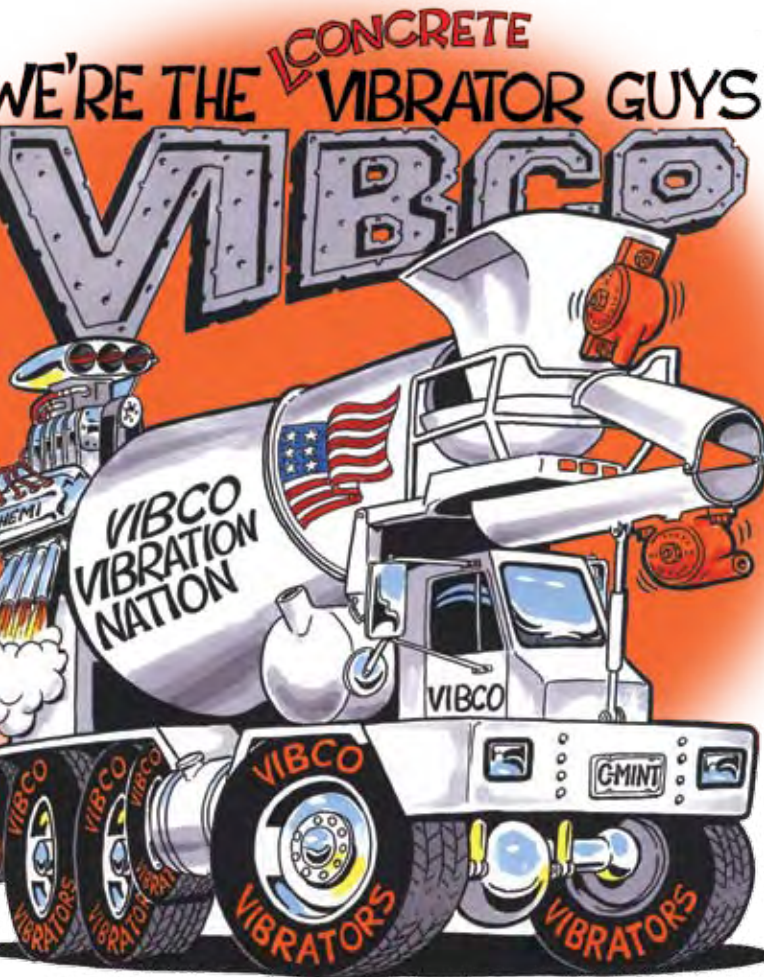
12 Volt Vibrator Model CHV-6

Kit includes steel mounting channel iron*, off switch, 16 gauge wire, butt splice conn



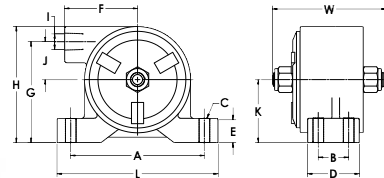


Designed for use on either front or rear discharge trucks.



Technical Data

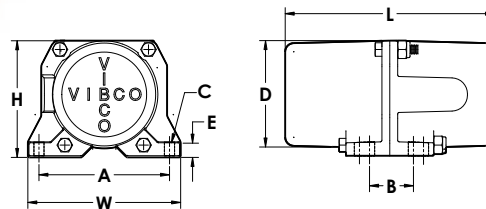
Model	CFM	VPM	Weight
CHV-25	9	5500	5 lbs



A		C**		D		E		F		G		I*
Inch	mm	Inch	mm	Inch	mm	Inch	mm	Inch	mm	Inch	mm	Air Inlet
4	102	1/2	13	1 1/2	38	9/16	14	2 1/4	57	3	76	1/4-NPT
J		K		L		W		H				
Inch	mm	Inch	mm	Inch	mm	Inch	mm	Inch	mm			
1 1/8	29	1 7/8	48	5 1/2	140	3 5/8	92	3 11/16	94			

* NPT Pipe Tap Size ** Bolt Size

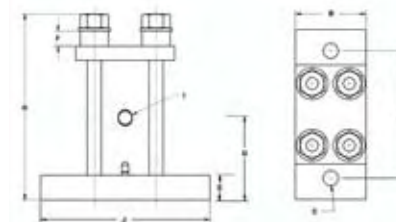
Model	Force	Amps	Volts	VPM	dB	Weight	Duty
CHV-6	60 lbs	3	12 & 24	3600	68	4.25 lbs	Cont.



A		B		C*		D		E	
Inch	mm	Inch	mm	Inch	mm	Inch	mm	Inch	mm
3 5/8	92	1 5/16	33	1/4	6	3	76	3/8	10
L		W		H					
Inch	mm	Inch	mm	Inch	mm				
6 3/8	162	4 1/2	114	3 1/4	83				

* Bolt Size

Model	CFM	VPM	Weight
CHV-501	7	5500	9 lbs



A		B		C**		E					
Inch	mm	Inch	mm	Inch	mm	Inch	mm				
4-1/2	114	2-1/2	64	1/2	13	7/8	22				
F		G		H		I		J			
Inch	mm	Inch	mm	Inch	mm	Air Inlet	Inch	mm			
17/32	6	6	152	6-1/2	165	1/4-NPT	6	152			

**Bolt size

*Steel mounting channel iron is 30" standard length. Can be cut to custom length.

ed.

Pneumatic Piston Vibrator

Model CHV-501

bolts & washers, on/ectors, terminal ends

Kit includes steel mounting channel iron*, bolts & washers, pneumatic rocker switch, hose & hose fittings, lubricator



How will VIBCO Chute Vibrators help my business grow? You Have Questions... We Have Answers.

“Explain to me how vibrating my chute will help my business to grow. I don’t quite understand...”

It will absolutely save you time!

Keeping all types of concrete mixes moving down the chute, cleaning out the chute at end of the pour, even loading charge hoppers – all of these things take time. Wouldn't it be great if you had a tool to help you do all those things faster and more efficiently, without adding weight to your truck? Well, a VIBCO chute vibrator is that tool. Put one on your chute and even the stiffest mixes will flow like water, shortening your pour time and allowing you to pour at lower angles and on longer chutes. Install one on your charge hopper to keep the batch flowing into the truck without clogging and reduce your loading time. And clean up is a snap because there's barely anything left behind in the chute, minimizing your clean out time.

It will absolutely save you money!

Because you will be saving time and doing more jobs. You'll get out of the plant and on the road faster, spend less time on the job site struggling with low slope or long chute pours, and get your driver back on the road to deliver another pour faster. How much more money could you make with an extra one or two completed loads per truck per day?

And you will save on labor costs for you and your customers!

You'll save labor at the job site because no one will have to get out of the truck to rake the concrete through the chute no matter how low the angle, and they won't be risking shoulder injuries or wasting pour time either. And no specialty crews or reclamation sites are needed for chute clean out. You'll also save labor at the plant since no one at the plant will have to climb up on the truck to bang on the charge hopper to release clogs.

“I don’t want to waste time installing these things or running around trying to find parts.”

Your time is valuable. That's why all VIBCO Chute Vibrators include a complete mounting and power kit so that installation is a breeze.

We'll also provide you with easy-to-follow, comprehensive installation and operation instructions so you can complete the installation and be back up and running in under 90 minutes.

“I already have a washout system on my truck... how does a Chute Vibrator make it better?”

The VIBCO Chute Vibrator is an ideal partner to any washout system.

Vibration makes the washout system work even more efficiently for you. You'll have less concrete left in the chute at the start of clean up, you'll use less water to get whatever concrete is left moving, and that combination will make your clean out faster so you can get back on the road and on your way to your next pour.

“How are VIBCO Chute Vibrators different from other chute vibrators I've tried?”

Because “We're the Concrete Vibrator Guys!” with over 45 years of experience engineering high-quality vibration products.

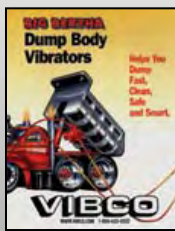
And because we're so confident in the quality and results of our Chute Vibrators, we offer a 10-day FREE trial so that you can try before you buy. Call us today and we'll get a complete kit right out to you. By the way - you can also see a video of a VIBCO Chute Vibrator in action at www.vibco.com!

“Is a VIBCO Concrete Chute Vibrator expensive?”

No! It's an affordable solution that will pay for itself!

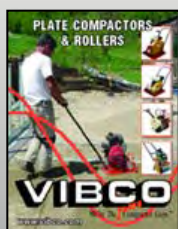
Costing no more than 1 1/2 yards of concrete, our customers have told us that their VIBCO Chute Vibrators pay for themselves in less than one month on the job. By saving time and labor costs, as well as getting more pours done in a day, your truck will be making money before you know it. Contact your nearest dealer for pricing TODAY or call VIBCO Vibrators for the name of a dealer near you!

Get FREE VIBCO catalogs on all of our Concrete & Construction products!



**12 VOLT DC
Vibrators**

- Big Bertha Dumpbody vibrators
- SandBuster salt & sand spreader vibrators
- 20 - 3500 lbs of force



**PLATE COMPACTORS
& ROLLERS**

- 12" to 24" plates
- Reversible and single directional plates
- Rollers 12" and 36" sizes
- Electric or gas powered



**EXTERNAL CONCRETE
Vibrators**

- How-To Booklet
- 71 Application Photos
- Selection and Locating Guide



**INTERNAL CONCRETE
Vibrators**

- Electric 1 3/8" to 2 1/2" head size
- Pneumatic 1 3/8" to 3"
- Interchangeable head and shaft



**SAND & GRAVEL
Vibrators**

- How-To Booklet
- 60 Application Photos
- Selection and Sizing Guide
- Pneumatic, Electric & Hydraulic Vibrators

ASK ABOUT ALL OF OUR CONCRETE VIBRATORS!



We're The Vibrator Guys.

CORPORATE

75 Stilson Road, PO Box 8
Wyoming, RI 02898

Email: vibrators@vibco.com
Phone: 401-539-2392
800-633-0032
Fax: 401-539-2584

WEST COAST

Phoenix
Arizona 85254

Email: vibrators@vibco.com
Phone: 480-596-1809
800-633-0032
Fax: 480-596-1614

SOUTHEAST

Tampa
Florida 33601

Email: vibrators@vibco.com
Phone: 401-539-2392
800-633-0032
Fax: 401-539-2584

CANADA

2215 Dunwin Drive
Mississauga, ONT L5L 1X1

Email: vibrators@vibco.com
Phone: 905-828-4191
800-465-9709
Fax: 905-828-5015